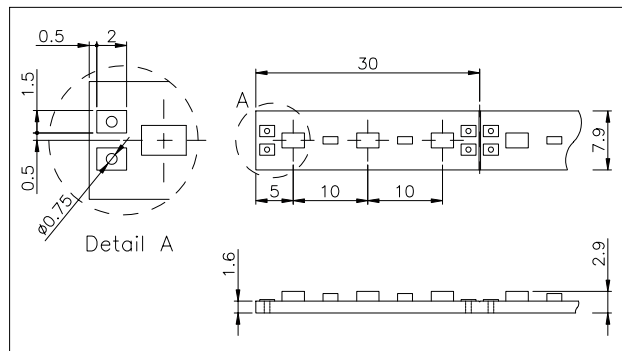
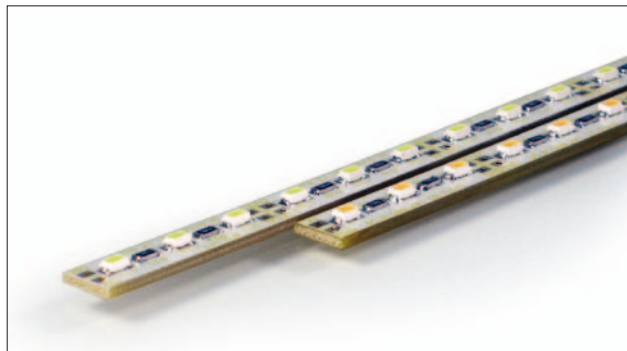


# 020B-0990-65-100

## SMD-LED: 99ers



### Allgemeine Informationen | general information

Abmessungen   dimensions:	990 x 7,9 x 2,9mm
Material   material:	FR4
Brechpunktabstand   distance of the breakpoints:	30mm
Anzahl der LED   quantity of the LED:	99 Stück (100LED/m)   99 pieces (100LED/m)
Art der LED   form of LED:	SMD 3020

### Eigenschaften LED | parameter LED (Ta=25°C)

bei | based on: If=20mA

Parameter parameter	Symbol symbol	Minimum minimum	Typisch typical	Maximum maximum	Einheit unit
forward voltage	Vf	2,9	3,1	3,5	V
luminous intensity	Iv	1800	2300	2600	mcd
Kelvin		6200	6500	6800	K
color rendering index	Ra		70		
beam angle			120°		
soldering temperature	Tsol		260		°C
esd protection	esd		2000		V
life time - Tc=25°C			70%/50000h		

### Eigenschaften Leiterbahn | parameters board (Ta=25°C)

bei | based on: If=23mA

Parameter parameter	Symbol symbol	Minimum minimum	Typisch typical	Maximum maximum	Einheit unit
input voltage	Vin	11	12	12,5	V
current	Ip	455	600	720	mA
power	Pw	5,0	7,2	9,0	W
lumen	Im		690		lm
working temperature	Ta	-20		65	°C
length	L	30	990	1980	mm
wrong polarity protection	short time		yes		